

AZ880

10 A SPST / 8 A DPST POLARIZED SUBMINIATURE POWER RELAY SINGLE SIDE STABLE (NON-LATCHING) AND BISTABLE (LATCHING)



FEATURES

- Dielectric strength 4000 Vrms
- Single and dual coil latching versions available
- Epoxy sealed version available
- 10 Amp switching
- UL, CUR file E44211

CONTACTS

Arrangement	SPST (1 Form A), DPST (2 Form A) DPST (1 Form A and 1 Form B)
Ratings	Resistive load: Max. switched power: 300 W or 2500 VA (SPST) 240 W or 2000 VA (DPST) Max. switched current: 10 A (SPST) 8 A (DPST) Max. switched voltage: 150 VDC or 380 VAC* *Note: If switching voltage is greater than 30 VDC, special precautions must be taken. Please contact the factory.
Rated Load UL, CUR	SPST 10 A at 250 VAC general use, 30k cycles 10 A at 30 VDC resistive, 30k cycles 1/3 HP at 250 VAC B300 Pilot Duty DPST 8 A at 250 VAC general use, 30k cycles 8 A at 30 VDC resistive, 30k cycles 1/3 HP at 250 VAC 1/4 HP at 125 VAC
Material	Silver nickel, gold plating optional
Resistance	< 50 milliohms initially (6 V 1 A voltage drop method)

COIL

Power At Pickup Voltage (typical)	137 mW (2A single side stable, 2 coil latching) 98 mW (1 coil latching or 1A or 1AB single side stable)
Max. Continuous Dissipation	0.75 W at 20°C (68°F) ambient
Temperature Rise	30°C (54°F) at nominal coil voltage
Max. Temperature	105°C (221°F)

GENERAL DATA

Life Expectancy Mechanical Electrical	Minimum operations 1 x 10 ⁷ 1 x 10 ⁶ at 10 A 250 VAC resistive (SPST)
Operate Time (typical)	5 ms at nominal coil voltage
Release Time (typical)	3 ms at nominal coil voltage (with no coil suppression)
Set Time (typical)	5 ms at nominal coil voltage
Reset Time (typical)	4 ms at nominal coil voltage
Dielectric Strength (at sea level)	4000 Vrms coil to contact (-1A, -1AB) 3000 Vrms coil to contact (-2A) 1000 Vrms between contacts 2000 Vrms between contact sets
Insulation Resistance	1000 megohms min. at 20°C 500 Vdc 50% RH
Dropout	Greater than 10% of nominal coil voltage
Ambient Temperature Operating Storage	At nominal coil voltage -40°C (-40°F) to 70°C (158°F) -40°C (-40°F) to 105°C (221°F)
Vibration	0.062" DA at 10 to 55 Hz
Shock	10 g functional
Enclosure	P.B.T. polyester
Terminals	Tinned copper alloy, P.C.
Max. Solder Temp.	270°C (518°F)
Max. Solder Time	5 seconds
Max. Solvent Temp.	80°C (176°F)
Max. Immersion Time	30 seconds
Weight	6 grams

NOTES

1. All values at 20°C (68°F).
2. Relay may pull in with less than "Must Operate" value.
3. Relay has fixed coil polarity.
4. For complete isolation between the relay's magnetic fields, it is recommended that a .197" (5.0 mm) space be provided between adjacent relays.
5. Relay adjustment may be affected if undue pressure is exerted on relay case.
6. Specifications subject to change without notice.



AMERICAN ZETTLER, INC.

www.azettler.com

75 COLUMBIA • ALISO VIEJO, CA 92656 • PHONE: (949) 831-5000 • FAX: (949) 831-8642 • E-MAIL: SALES@AZETTLER.COM

9/6/06W

AZ880

RELAY ORDERING DATA

AZ880

COIL SPECIFICATIONS - 1 FORM A AND 1 FORM A/1 FORM B				ORDER NUMBER*	
Nominal Coil VDC	Must. Operate VDC	Max. Continuous VDC	Coil Resistance $\pm 10\%$	1 Form A	1 Form A 1 Form B
3	2.1	5.8	45	AZ880-1A-3D	AZ880-1AB-3D
5	3.5	9.7	125	AZ880-1A-5D	AZ880-1AB-5D
6	4.2	11.6	180	AZ880-1A-6D	AZ880-1AB-6D
9	6.3	17.4	405	AZ880-1A-9D	AZ880-1AB-9D
12	8.4	23.2	720	AZ880-1A-12D	AZ880-1AB-12D
24	16.8	46.5	2880	AZ880-1A-24D	AZ880-1AB-24D

*Add suffix "E" for epoxy sealed version. Add suffix "A" for gold plated contacts. Add suffix "R" for reversed polarity coil.

AZ880

COIL SPECIFICATIONS - 2 FORM A				ORDER NUMBER*
Nominal Coil VDC	Must. Operate VDC	Max. Continuous VDC	Coil Resistance $\pm 10\%$	2 Form A
3	2.1	4.9	32.1	AZ880-2A-3D
5	3.5	8.2	89.3	AZ880-2A-5D
6	4.2	9.8	129	AZ880-2A-6D
9	6.3	14.7	289	AZ880-2A-9D
12	8.4	19.6	514	AZ880-2A-12D
24	16.8	39.3	2056	AZ880-2A-24D

*Add suffix "E" for epoxy sealed version. Add suffix "A" for gold plated contacts. Add suffix "R" for reversed polarity coil.

AZ880P1

COIL SPECIFICATIONS - SINGLE COIL LATCHING				ORDER NUMBER*		
Nominal Coil VDC	Must. Operate VDC	Max. Continuous VDC	Coil Resistance $\pm 10\%$	1 Form A	2 Form A	1 Form A 1 Form B
3	2.1	5.8	45	AZ880P1-1A-3D	AZ880P1-2A-3D	AZ880P1-1AB-3D
5	3.5	9.7	125	AZ880P1-1A-5D	AZ880P1-2A-5D	AZ880P1-1AB-5D
6	4.2	11.6	180	AZ880P1-1A-6D	AZ880P1-2A-6D	AZ880P1-1AB-6D
9	6.3	17.4	405	AZ880P1-1A-9D	AZ880P1-2A-9D	AZ880P1-1AB-9D
12	8.4	23.2	720	AZ880P1-1A-12D	AZ880P1-2A-12D	AZ880P1-1AB-12D
24	16.8	46.5	2880	AZ880P1-1A-24D	AZ880P1-2A-24D	AZ880P1-1AB-24D

*Add suffix "E" for epoxy sealed version. Add suffix "A" for gold plated contacts. Add suffix "R" for reversed polarity coil.

AZ880P2

COIL SPECIFICATIONS - DUAL COIL LATCHING				ORDER NUMBER*		
Nominal Coil VDC	Must. Operate VDC	Max. Continuous VDC	Coil Resistance $\pm 10\%$	1 Form A	2 Form A	1 Form A 1 Form B
3	2.1	4.9	32.1	AZ880P2-1A-3D	AZ880P2-2A-3D	AZ880P2-1AB-3D
5	3.5	8.2	89.3	AZ880P2-1A-5D	AZ880P2-2A-5D	AZ880P2-1AB-5D
6	4.2	9.8	129	AZ880P2-1A-6D	AZ880P2-2A-6D	AZ880P2-1AB-6D
9	6.3	14.7	289	AZ880P2-1A-9D	AZ880P2-2A-9D	AZ880P2-1AB-9D
12	8.4	19.6	514	AZ880P2-1A-12D	AZ880P2-2A-12D	AZ880P2-1AB-12D
24	16.8	39.3	2056	AZ880P2-1A-24D	AZ880P2-2A-24D	AZ880P2-1AB-24D

*Add suffix "E" for epoxy sealed version. Add suffix "A" for gold plated contacts. Add suffix "R" for reversed polarity coil.



AMERICAN ZETTLER, INC.

www.azettler.com

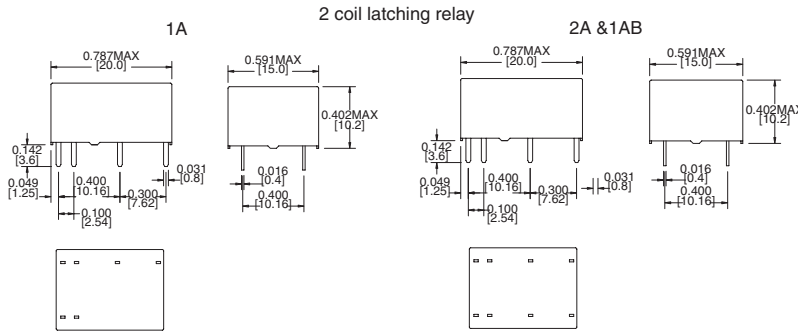
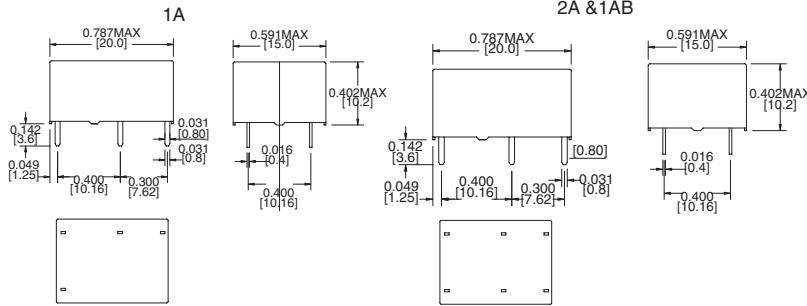
75 COLUMBIA • ALISO VIEJO, CA 92656 • PHONE: (949) 831-5000 • FAX: (949) 831-8642 • E-MAIL: SALES@AZETTLER.COM

AZ880

MECHANICAL DATA

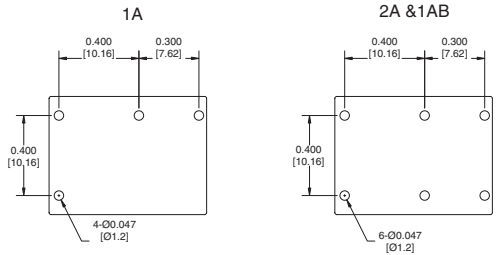
Outline Dimensions

Single side stable or 1 coil latching relay

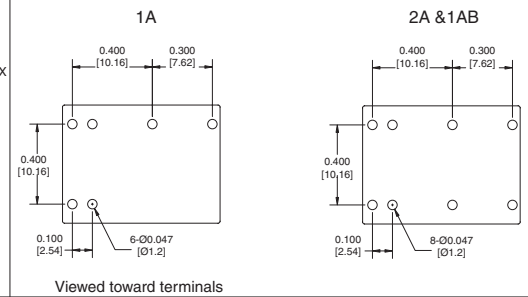


PC Board Layout

Single side stable or 1 coil latching relay



2 coil latching relay

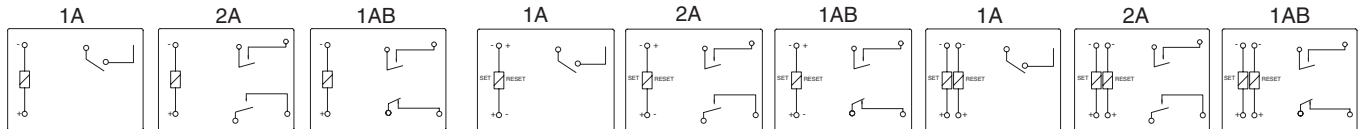


Wiring Diagram

Single side stable

1 coil latching relay

2 coil latching relay



Viewed toward terminals. Relays shown in de-energized or reset state.

Dimensions in inches with metric equivalents in parentheses. Tolerance: $\pm .010$ "



AMERICAN ZETTLER, INC.

www.azettler.com

75 COLUMBIA • ALISO VIEJO, CA 92656 • PHONE: (949) 831-5000 • FAX: (949) 831-8642 • E-MAIL: SALES@AZETTLER.COM